



Round Star Solenoid Valves

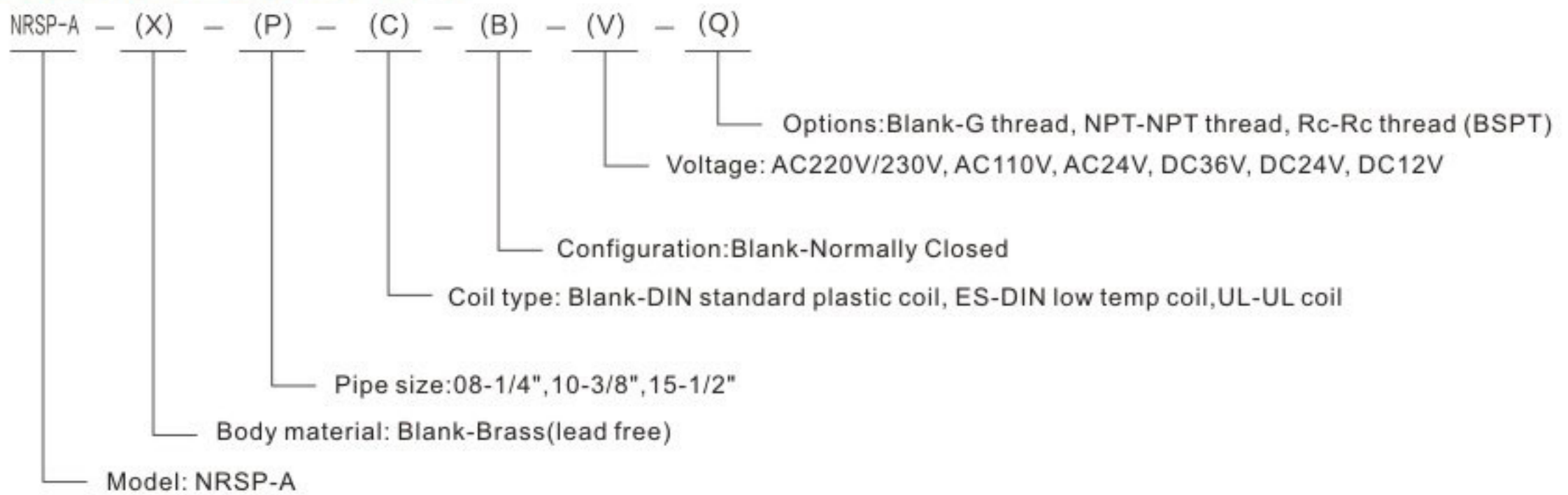
Round-Star®

NRSP-A series 2-way (NC) diaphragm solenoid valve 1/4" ~ 1/2"

Working medium: water, hot water, air, liquid
 Environment temperature: -10~55°C
 Medium temperature: -10~130°C
 Working pressure: 0.1~16bar
 Working type: pilot operated (NC)
 Valve body material: Brass (lead free)
 Sealing material: EPDM
 Interface: G thread, NPT thread, Rc thread
 Working voltage: AC220~240V, AC110V 50/60Hz 22VA DC24V / 12V 13W, IP65, H degree.
 Options: ES low power coil (medium temperature ≤ 80°C), digital timer, LED light connector.



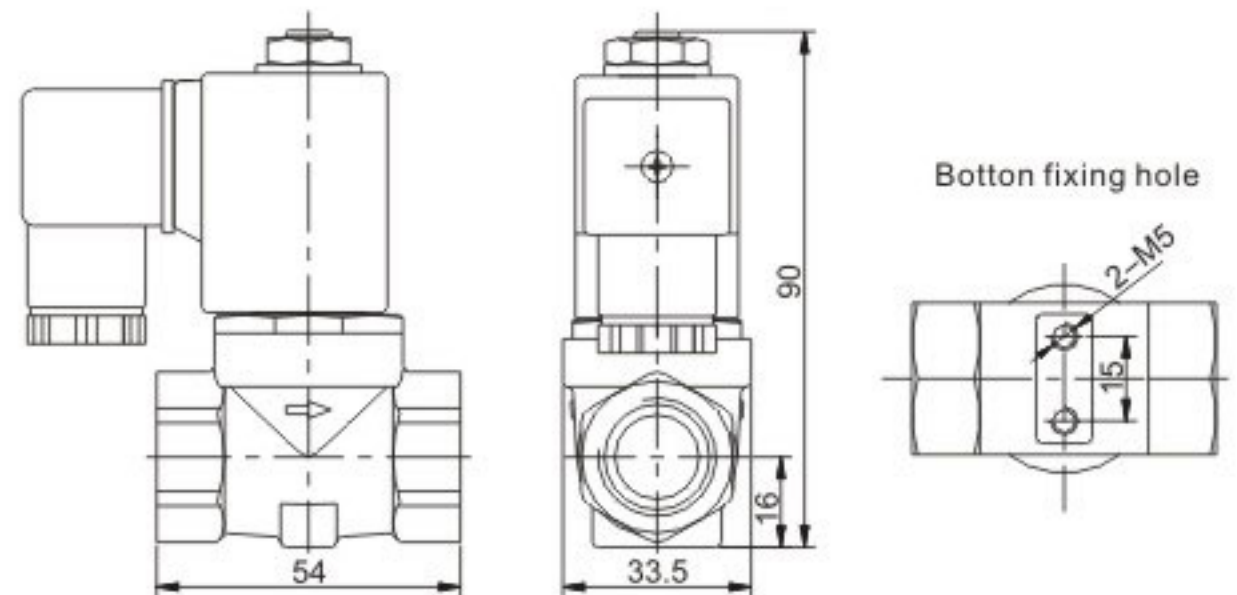
NRSP-A series order code



If order NRSP-A, 3/8", normal coil, NC, AC220V, G thread, order code: NRSP-A-10-AC220V

If order NRSP-A, 1/2", ES low power coil, NC, AC220V, NPT thread, order code: NRSP-A-15ES-AC220V-NPT

NRSP-A series solenoid valve drawing



NRSP-A series solenoid valve specification

Interface (G)	Orifice (mm)	Cv	Working pressure (bar)			Coil insulation degree	Coil power				Order code
			Min pressure	Max pressure			Normal coil		ES coil		
				Air, water, hot water			VA	W	VA	W	
				AC220V	DC24V		AC220V	DC24V	AC220V	DC24V	
1/4"	10.5	1.5	0.1	16	10	H	22	13	3	3	NRSP-A-08-AC220V
3/8"	10.5	1.5	0.1	16	10	H	22	13	3	3	NRSP-A-10-AC220V
1/2"	10.5	1.5	0.1	16	10	H	22	13	3	3	NRSP-A-15-AC220V

Note : if add "W", e.g NRSP-A(W)-10-AC220V, means it's zero differential pressure type, max working pressure as above specification.

