

Round-Star[®] Solenoid Valves

RSZ series 2-way bistable self-sustaining pulse solenoid valve 3/8" ~ 2"

Widely used in water-saving irrigation, automatic induction sanitary ware, landscaping, automatic irrigation, drip irrigation and other automation control.

working medium: air water liquid
medium temperature: -5~80°C
Working type: direct current pulse type (NC)
valvebody material: brass SS316
sealing material: NBR
interface: G thread NPT thread
working voltage: DC2.5~6.5V IP67
coil resistance: 25Ω
min current: 190mA
pulse width: ≥10ms



RSZ-20

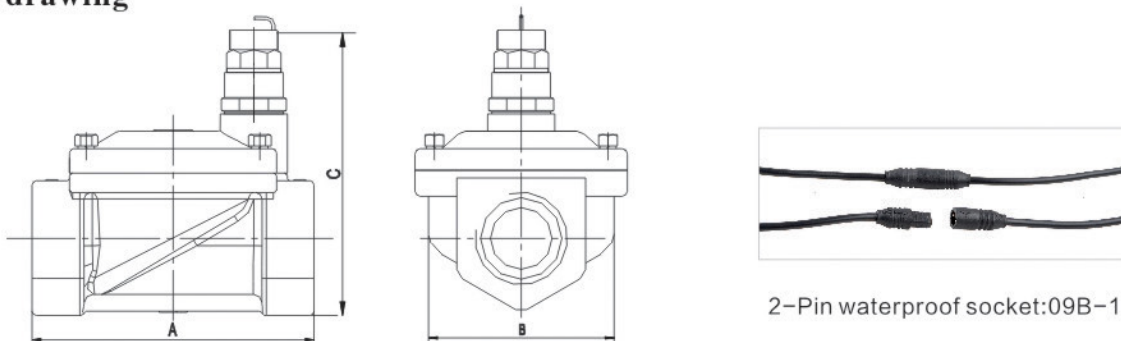


RSZ-40

order code

RSZ	25	J	T	voltage
model	threadcode	blank: brass J: SS316	blank: G thread T: NPT thread	DC6V (by default) 9V 12V 24V canbecustomized
	10: 3/8" 15: 1/2" 20: 3/4" 25: 1" 32: 1 1/4" 40: 1 1/2" 50: 2"			

RSZ series drawing



RSZ series specification

model	Orifice (mm)	interface	Cv	Working pressure (bar)	A × B × C (mm)	Normal order code	
						Voltage DC6V Copper body G thread	Weight (Kg)
RSZ - 10	13	3/8"	3.5	0.3-8	66 × 48 × 94	RSZ - 10 - DC6V	0.5
RSZ - 15	13	1/2"	3.5	0.3-8	66 × 48 × 94	RSZ - 15 - DC6V	0.5
RSZ - 20	20	3/4"	7.6	0.3-8	75 × 58 × 100	RSZ - 20 - DC6V	0.65
RSZ - 25	25	1"	12	0.3-8	96 × 69 × 107	RSZ - 25 - DC6V	1.2
RSZ - 32	32	1 1/4"	20	0.3-8	131 × 96 × 132	RSZ - 25 - DC6V	2.6
RSZ - 40	40	1 1/2"	30	0.3-8	131 × 96 × 132	RSZ - 40 - DC6V	2.4
RSZ - 50	50	2"	48	0.3-8	165 × 120 × 147	RSZ - 50 - DC6V	3.7

Round-Star[®] Solenoid Valves

RSZ series 2-way bistable self-sustaining pulse solenoid valve 3/8" ~ 2"
Components:

No.	1	2	3	4	5	6	7
name	valvebody	diaphragm	spring	Valve cover	screw	Transform	part latching pulse coil

