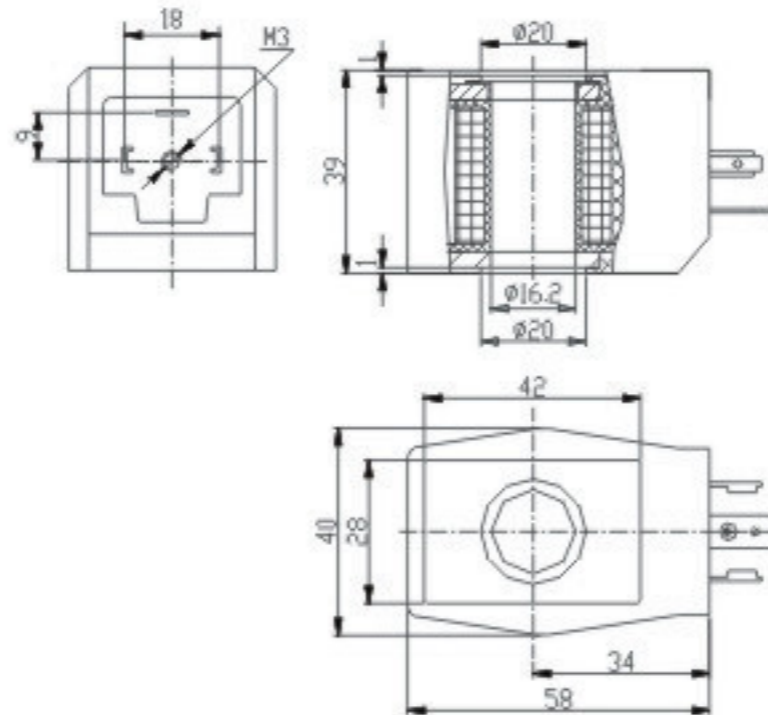


## ES-series low power energy saving coil

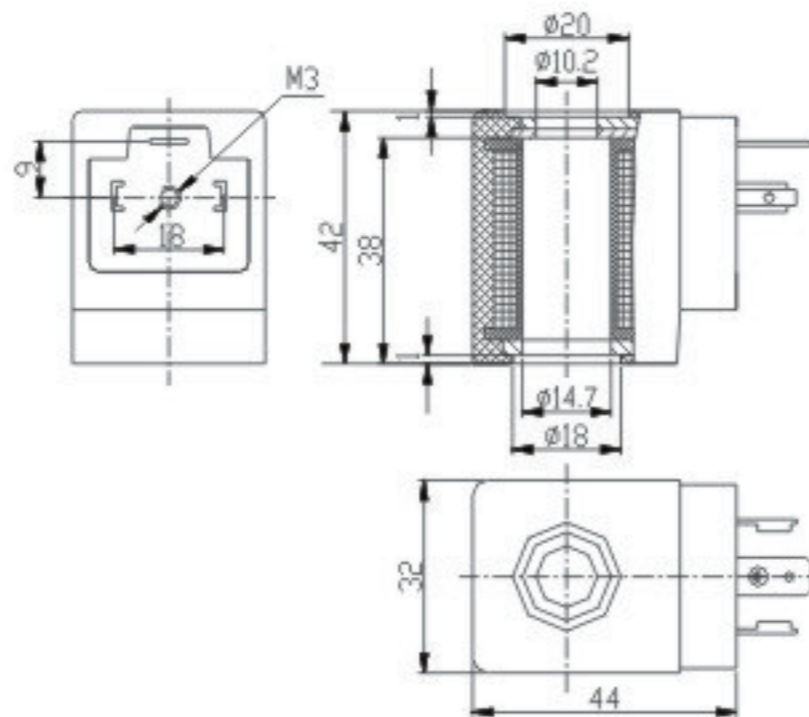
Model: ES01-410A/B



Features: low power, slowly heating-up ( $\leq 40^{\circ}\text{C}$ )  
strong attraction force

Voltage: AC220V AC110V DC24V  
Power: A type AC220V 4VA DC24V 4W  
B type AC220V 5VA DC24V 6W  
Insulation degree H  
Medium temperature  $-10 \sim 80^{\circ}\text{C}$   
Coil DIN43650A

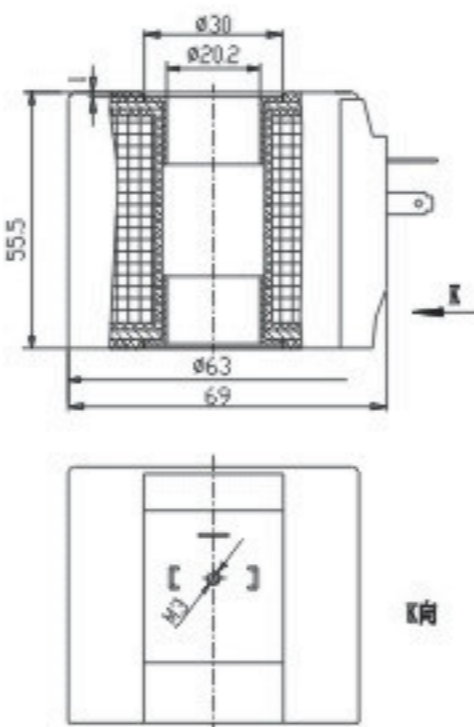
Model: ES04-310



Features: low power, slowly heating-up ( $\leq 40^{\circ}\text{C}$ )  
strong attraction force

Voltage: AC220V AC110V DC24V  
Power: A type AC220V 3VA DC24V 3W  
B type AC220V 4VA DC24V 4W  
Insulation degree H  
Medium temperature  $-10 \sim 80^{\circ}\text{C}$   
Coil DIN43650A

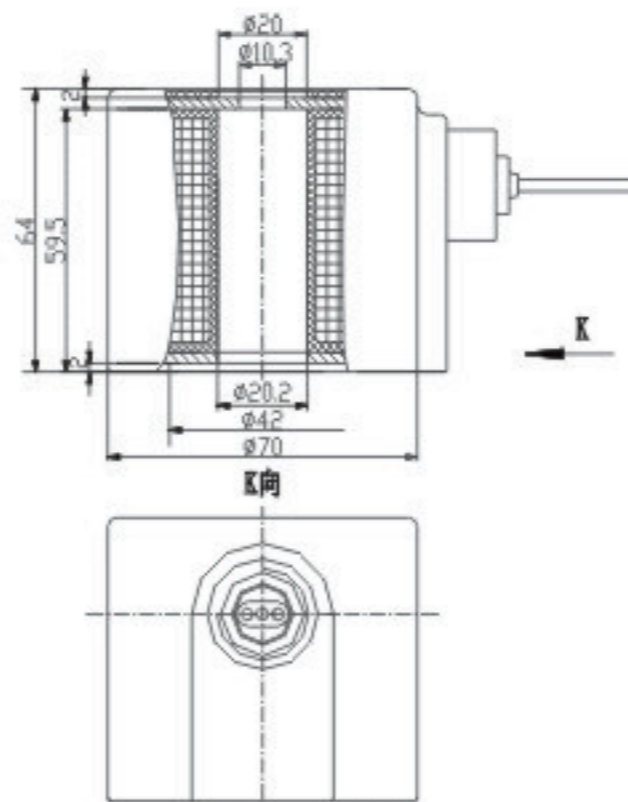
Model: ES09-210



Features: low power, slowly heating-up ( $\leq 40^{\circ}\text{C}$ )  
strong attraction force

Voltage: AC220V AC110V DC24V  
Power: AC220V 6VA DC24V 6W  
Insulation degree H  
Medium temperature  $-10 \sim 80^{\circ}\text{C}$   
Coil DIN43650A

Model: ES07-710



Features: low power, slowly heating-up ( $\leq 40^{\circ}\text{C}$ )  
strong attraction force

Voltage: AC220V AC110V DC24V  
Power: AC220V 8VA DC24V 7W  
Insulation degree H  
Medium temperature  $-10 \sim 80^{\circ}\text{C}$   
Coil lead wire